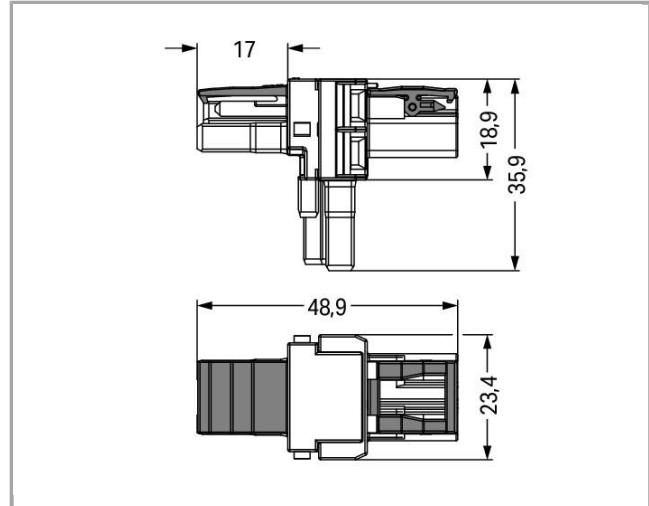


Data sheet | Item number: 770-1601

T-distribution connector; 2-pole; Cod. B; 1 input; 2 outputs; 2 locking levers;  
gray



770-1601



Item description

- Protected against mismatching and maintenance-free
- Components can be clearly printed on and color-coded to meet custom requirements

Note:

All connectors for mounted installations (snap-in versions for lighting fixtures or devices, all types of PCB and distribution connectors) are factory-equipped with locking levers to ensure plugs and sockets are securely locked. Additional locking levers are only required for flying leads (plug /socket).

Safety information 1:



Application note for the U.S. market (USR): Some versions may also be used for current interruption in accordance with the UL certificate in select applications with currents below 16 A and voltages up to 600 V. For further information, please contact your local sales office.

## Data

### Electrical data

Note on Contact Resistance	approx. 1m $\Omega$ contact resistance approx. 0.25m $\Omega$ contact transition plug/socket
----------------------------	--

### Ratings per IEC/EN 60664-1

Rated voltage (III / 3)	250 V
Rated impulse voltage (III / 3)	4 kV
Rated current	25 A

### Approvals per UL 1977

Rated voltage per UL 1977 (factory wiring only)	600 V
Rated current per UL 1977 (factory wiring only)	23 A

### Connection data

Total number of potentials	2
No. of poles	2

### Geometrical Data

Pin spacing	10 mm / 0.394 inch
Width	23.5 mm / 0.925 inch
Height	36.1 mm / 1.421 inch
Depth	48.9 mm / 1.925 inch

### Mechanical data

Coding	B
Mating force of a plug-in connection	ca. 20 70 N (polzahlabhängig)
Retention force of a plug-in connection	When locked: > 80 N
Unmating force of a plug-in connection	ohne Verriegelung: ca. 20 70 N (polzahlabhängig)
Number of mating cycles	200, without resistive load 100, with resistive load $I_N = 25A$ , tested (4 mm <sup>2</sup> /AWG 12)
Type of distribution connector	T-distribution connector
Marking	1 2
Protection class	IP20

Note on protection class

Only in mated condition (These compact connectors are not designed for use in open, easily accessible areas.)

Potential marking

1 2

### Plug connection

Contact type (pluggable connector)

Socket/plug

Mismating protection

Yes

Locking of plug-in connection

locking lever

Locking lever

yes

### Material Data

Color

gray

Insulating material

Polyamide 66 (PA 66)

Flammability class per UL94

V0

Contact material

Copper or copper alloy, surface-treated

Fire load

0.226 MJ

Weight

11.164 g

### Environmental Requirements

Processing temperature

-5 +40 °C

Continuous operating temperature

-35 +85 °C

Note on Continuous Service Temperature

Insulating parts for temperatures  $\leq 105$  °C

### Commercial data

Product Group

20 (WINSTA)

Country of origin

DE

GTIN


4050821531241

Customs Tariff No.

85366990990

### Approvals / Certificates

#### Other Approvals

Logo	Approval	Additional Approval Text	Certificate name
	cURus Underwriters Laboratories Inc.	UL 1977	E45171 Sec. 9




#### UL-Approvals

Logo	Approval	Additional Approval Text	Certificate name
	cURus	UL 1977	E45171



## Compatible products

### protection

	<b>Item no.: 770-201</b> Lockout cap; 12-pole, separable; 12-pole; for sockets; black	770-201
	<b>Item no.: 770-221</b> Lockout cap; for socket; 12-pole; separable; white	770-221
	<b>Item no.: 770-360</b> Lockout cap; for plugs; 5-pole; separable; yellow	770-360

### assembling

	<b>Item no.: 770-354</b> Mounting carrier; 5-pole; for distribution connectors	770-354
--	---	---------

## Downloads

### Documentation

#### Bid Text

770-1601	doc 23.6 kB	Download
----------	----------------	----------

## CAD/CAE - Smart Data

### WSCAD

WSCAD Universe	Download
----------------	----------

Subject to changes.